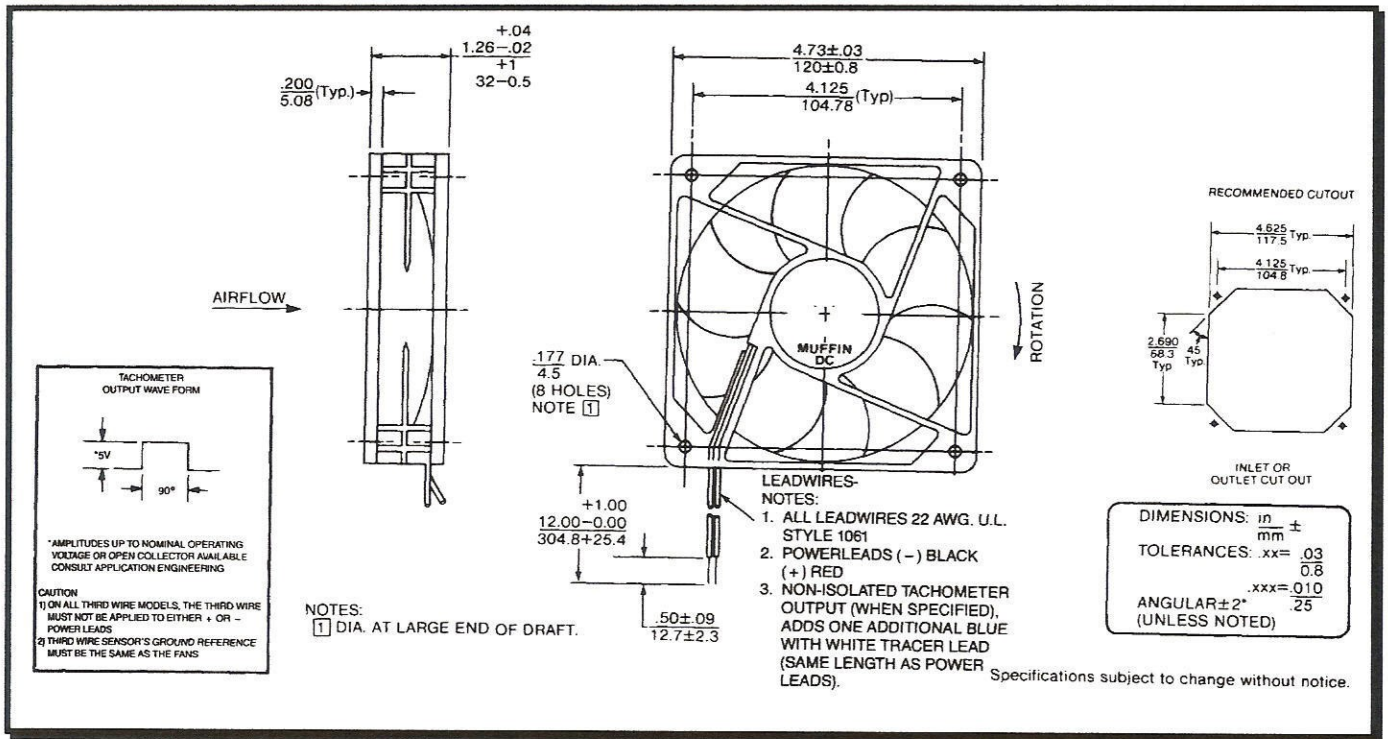


SPECIFICATIONS

Model Number: MC12S6HX-E2
Part Number: 039352

Ice Cap
 May 2, 2003

Mechanical Drawing:



Motor (full speed):

Nominal Voltage = 12 vdc
 Operating Voltage Range = 6 – 14 vdc
 Nominal Running Current = 0.660 amps
 Max Locked Rotor Current = 1.75 amps
 Running Power = 7.9 watts
 Average Speed = 3700
 Bearings = Ball
 Air Flow = 102 cfm
 Acoustic = 47.8 dBA

Construction:

Venturi: Plastic, Black, UL 94V-0
 Propeller: Plastic, Black, UL 94V-0

Life Expectancy:

This fan is designed for continuous duty life of 78,000 hours at 40°C.

Agency Approvals:

UL, CSA, TUV

Additional Features:

Brushless DC Motor
 Polarity Protected
 Locked Rotor Protection
 Thermal Speed Control
 Operating Temperature: -10°C to 70°C
 Storage Temperature: -40°C to 85°C
 Thermal Speed Control
 Enviroshield Type 2

Termination:

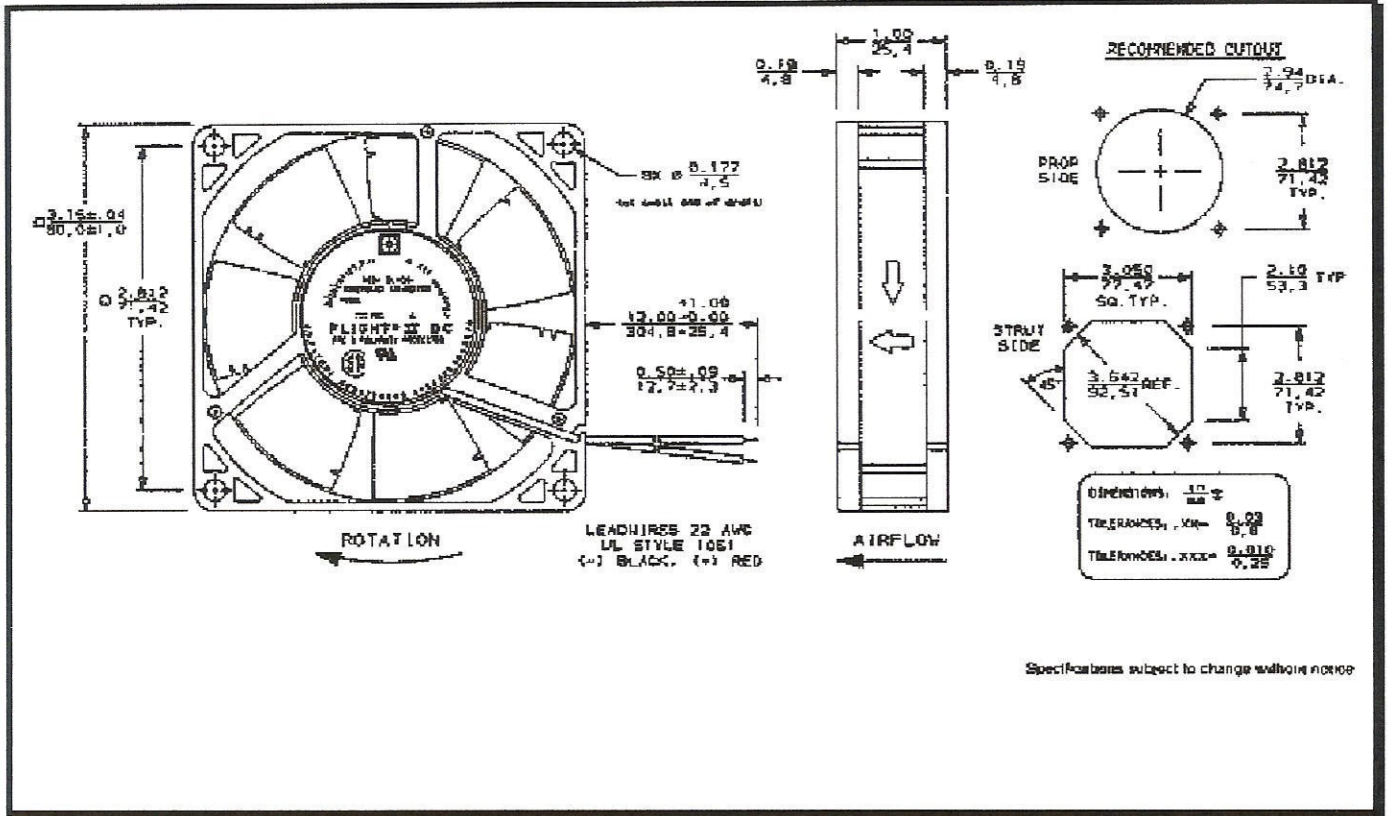
Enviroshielded PTC on 24" zip cord
 24" Harness Assembly, AWG 22, UL 1061
 Pin 1 – Red, Power (+)
 Pin 2 – Black, Return (-)

SPECIFICATIONS

Model Number: Fan 80mm

July 9, 2002

Mechanical Drawing:



Motor:

Nominal Voltage	= 12 vdc
Operating Voltage Range	= 6 – 12 vdc
Nominal Running Current	= 0.235 amps
Locked Rotor Current	= 1.00 amps
Running Power	= 2.8 watts
Average Speed	= 4200 RPM
Bearings	= Ball
Air Flow	= 37 CFM
Acoustic	= 36.2 dBA

Construction:

Venturi: PPS Plastic, Black, UL 94V-0
 Propeller: PBT Plastic, Black, UL 94V-0

Life Expectancy:

This fan is designed for continuous duty life of 60,000 hours at 25°C.

Additional Features:

Brushless DC Motor
 Electronic Locked Rotor Protection
 Polarity Protected
 Automatic Restart Capability
 Operating Temperature: -10°C to 70°C
 Storage Temperature: -10°C to 85°C
 Customer Private Label
 Thermal Speed Control
 PTC on 24" zip cord
 Environmental Protection Type II

Termination:

24" Harness, 22AWG, UL 1061
 Housing Amp: 172165-1; Terminal Amp 770902-1
 Pin 1: Red (M+)
 Pin 2: Black (M-)

Agencies:

UL, CSA
 UL Multiple Listing