

4

3

2

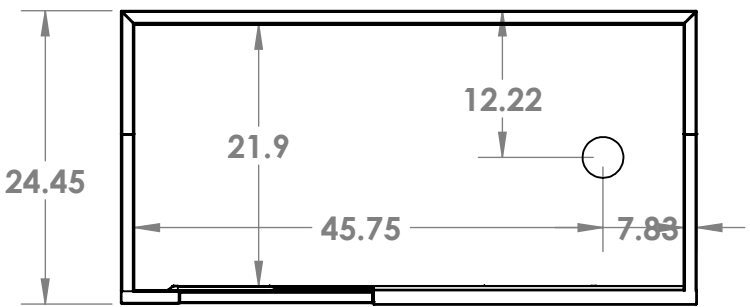
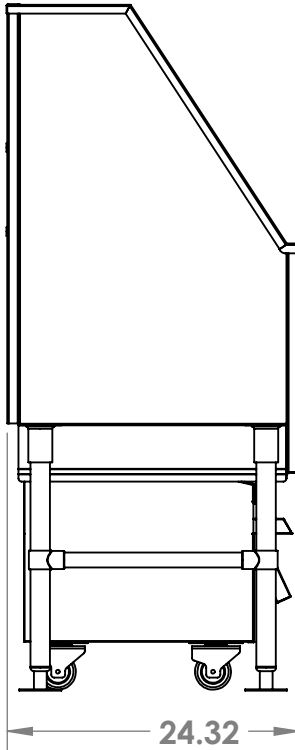
1

B

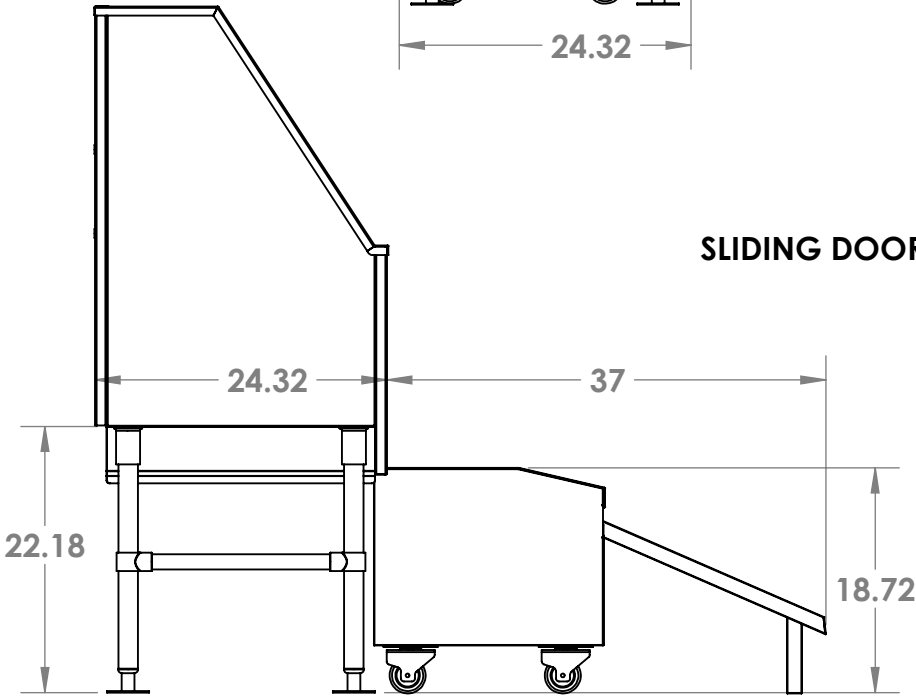
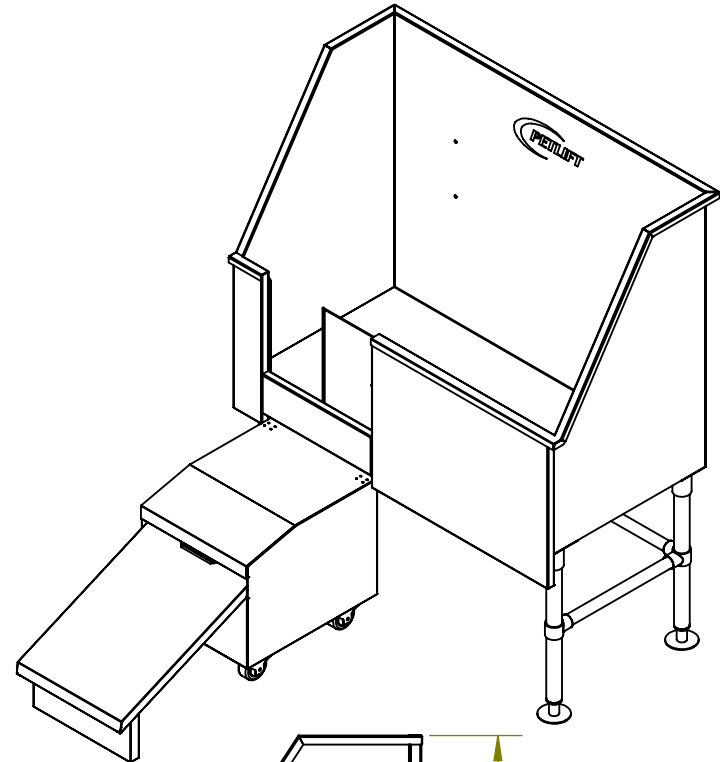
B

A

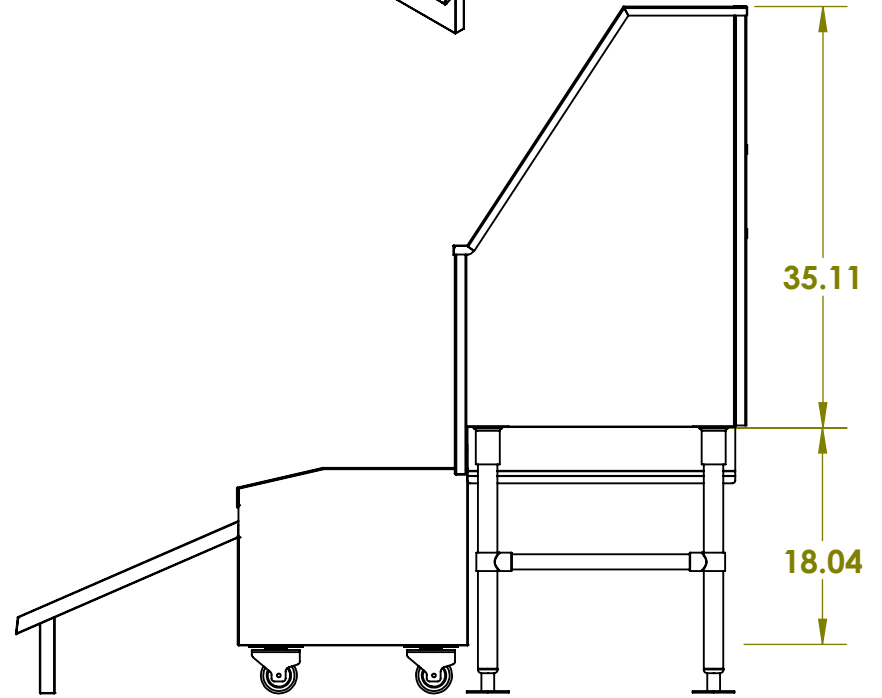
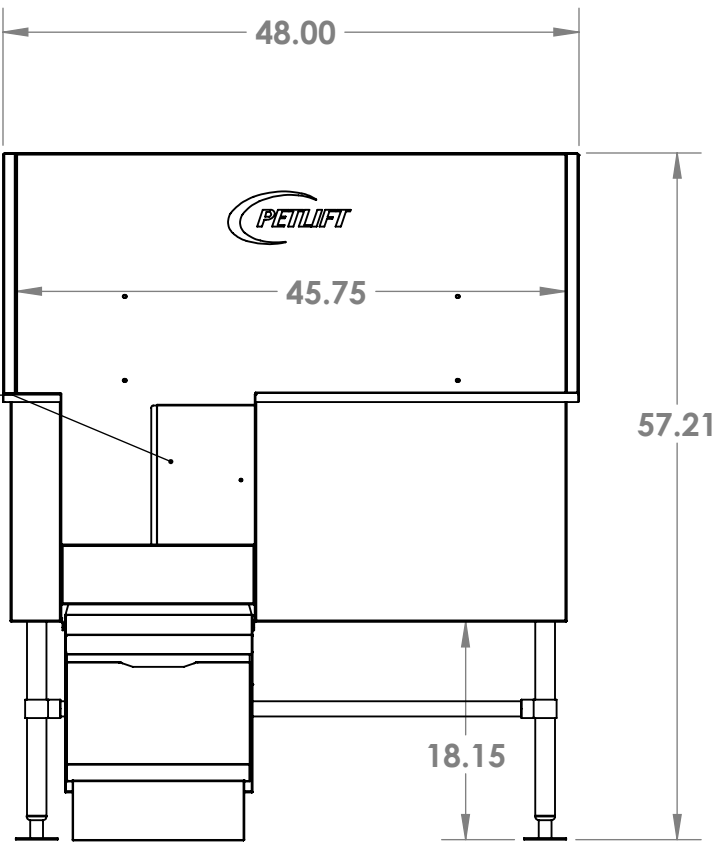
A



RAMP CLOSED



SLIDING DOOR



RIGHT SIDE SHOWN
LEFT SIDE OPPOSITE

PROPRIETARY AND CONFIDENTIAL
 THE INFORMATION CONTAINED IN THIS DRAWING IS THE SOLE PROPERTY OF S&B METAL PRODUCTS. ANY REPRODUCTION IN PART OR AS A WHOLE WITHOUT THE WRITTEN PERMISSION OF S&B METAL PRODUCTS IS PROHIBITED.

		UNLESS OTHERWISE SPECIFIED:	NAME	DATE	PETLIFT S&B MFG
		DIMENSIONS ARE IN INCHES TOLERANCES: FRACTIONAL ± ANGULAR: MACH ± BEND ± TWO PLACE DECIMAL ± THREE PLACE DECIMAL ±	DRAWN	JRS	
		INTERPRET GEOMETRIC TOLERANCING PER:	CHECKED		SIZE DWG. NO. REV
		MATERIAL	ENG APPR.		B BT-AQ48
NEXT ASSY	USED ON	FINISH	MFG APPR.		SCALE: 1:16 WEIGHT: SHEET 1 OF 1
APPLICATION		DO NOT SCALE DRAWING	Q.A.	COMMENTS:	

4

3

2

1