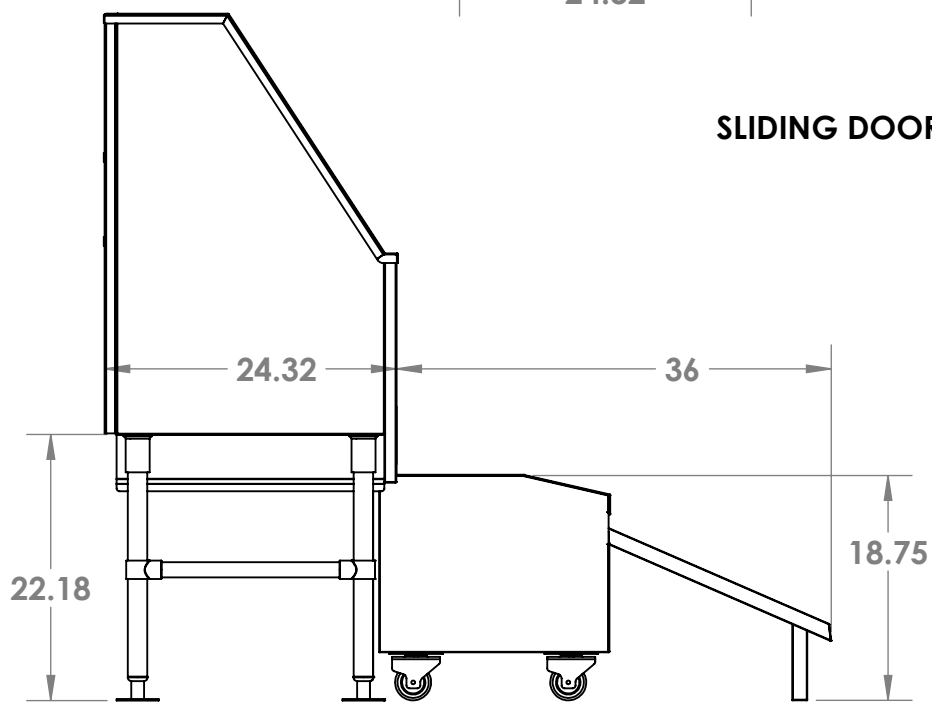
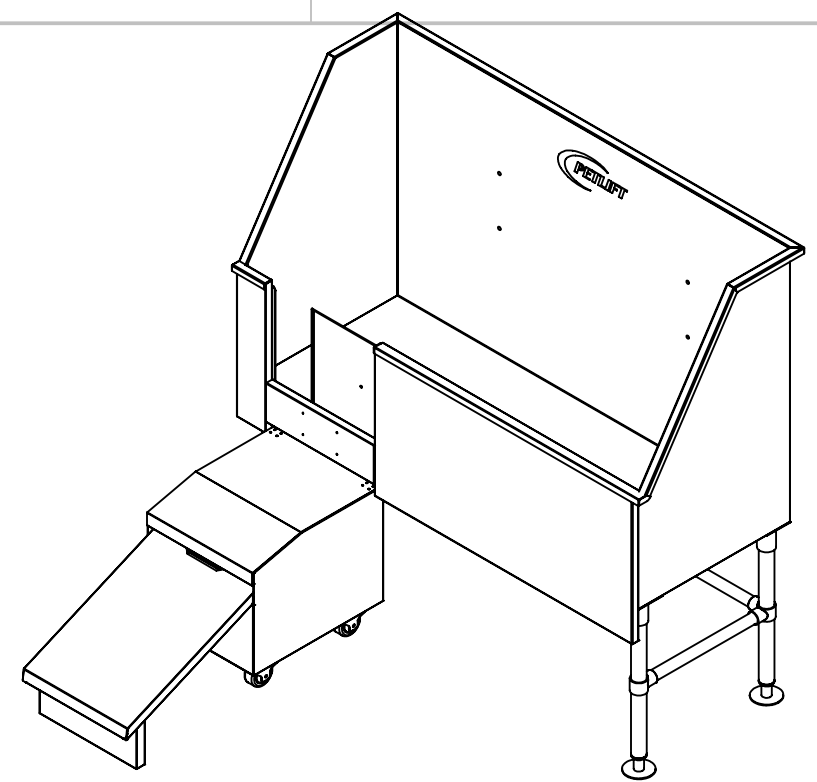
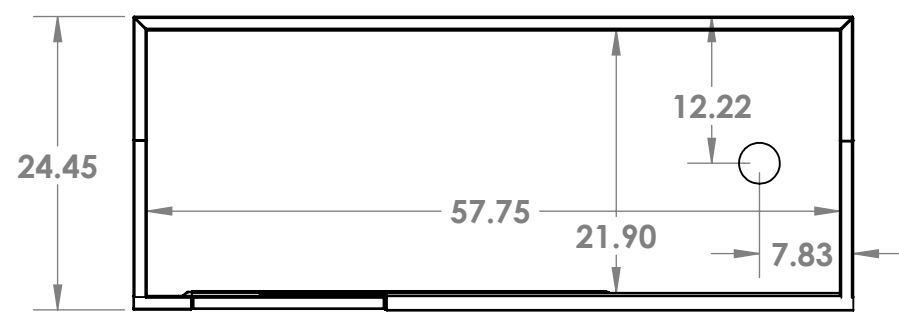
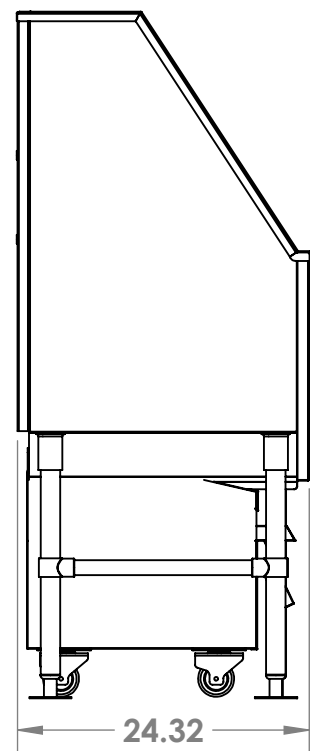


4

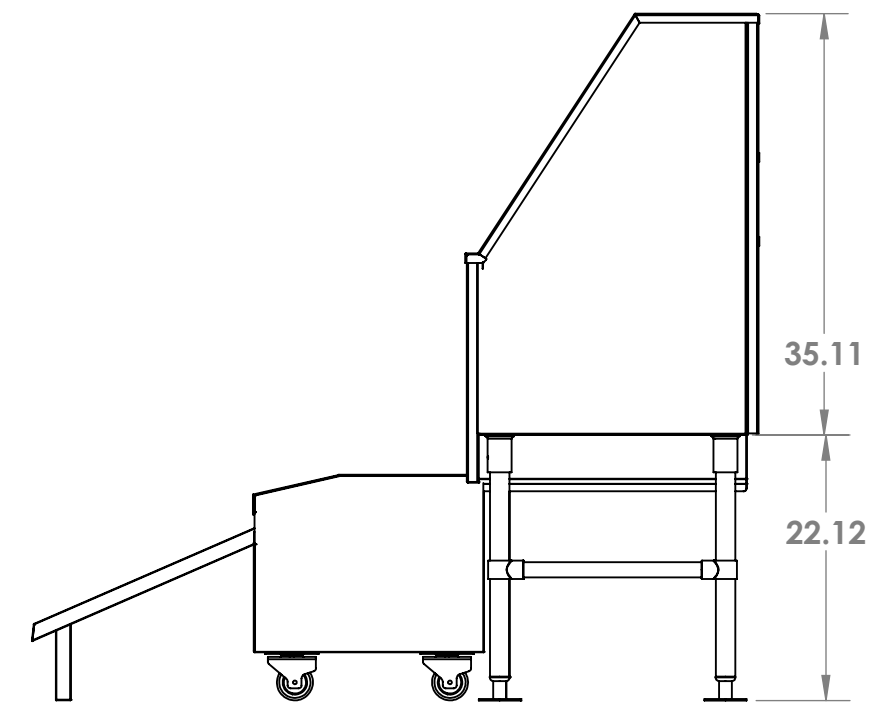
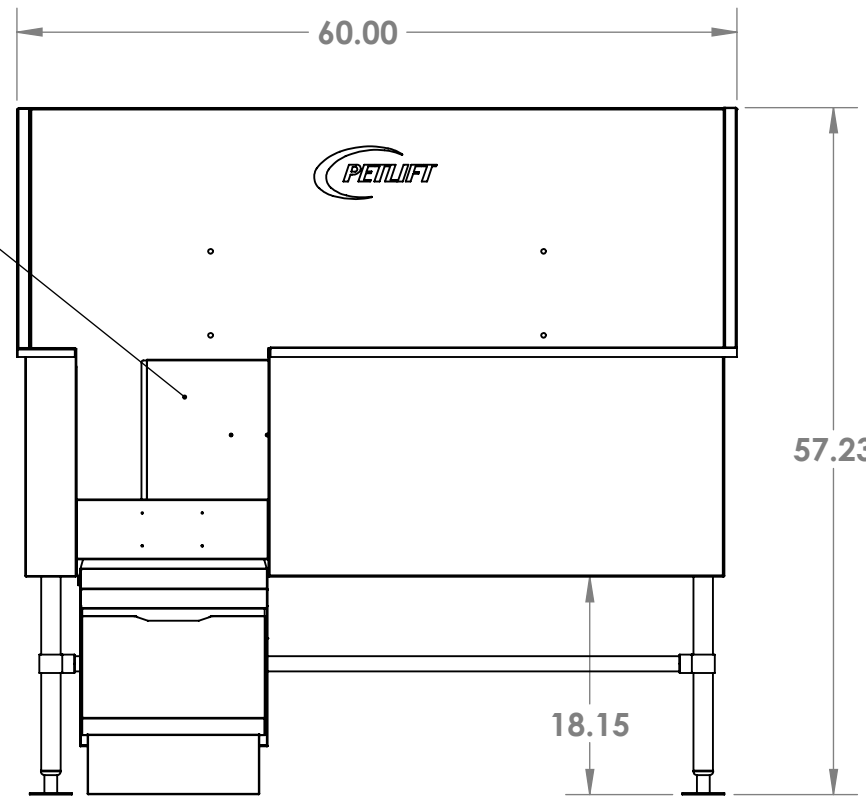
3

2

1



SLIDING DOOR



RIGHT SIDE SHOWN
LEFT SIDE OPPOSITE

PROPRIETARY AND CONFIDENTIAL
 THE INFORMATION CONTAINED IN THIS DRAWING IS THE SOLE PROPERTY OF S&B METAL PRODUCTS. ANY REPRODUCTION IN PART OR AS A WHOLE WITHOUT THE WRITTEN PERMISSION OF S&B METAL PRODUCTS IS PROHIBITED.

UNLESS OTHERWISE SPECIFIED:		NAME	DATE	PETLIIT S&B MFG	
DIMENSIONS ARE IN INCHES		DRAWN	JRS		
TOLERANCES:		CHECKED		TITLE:	
FRACTIONAL ±		ENG APPR.		AQ58 TUB	
ANGULAR: MACH ± BEND ±		MFG APPR.		W/RAMP	
TWO PLACE DECIMAL ±		Q.A.		SIZE	DWG. NO.
THREE PLACE DECIMAL ±		COMMENTS:		B	BT-AQ58
NEXT ASSY	USED ON			SCALE: 1:16	WEIGHT:
APPLICATION		DO NOT SCALE DRAWING		SHEET 1 OF 1	

4

3

2

1

B

B

A

A